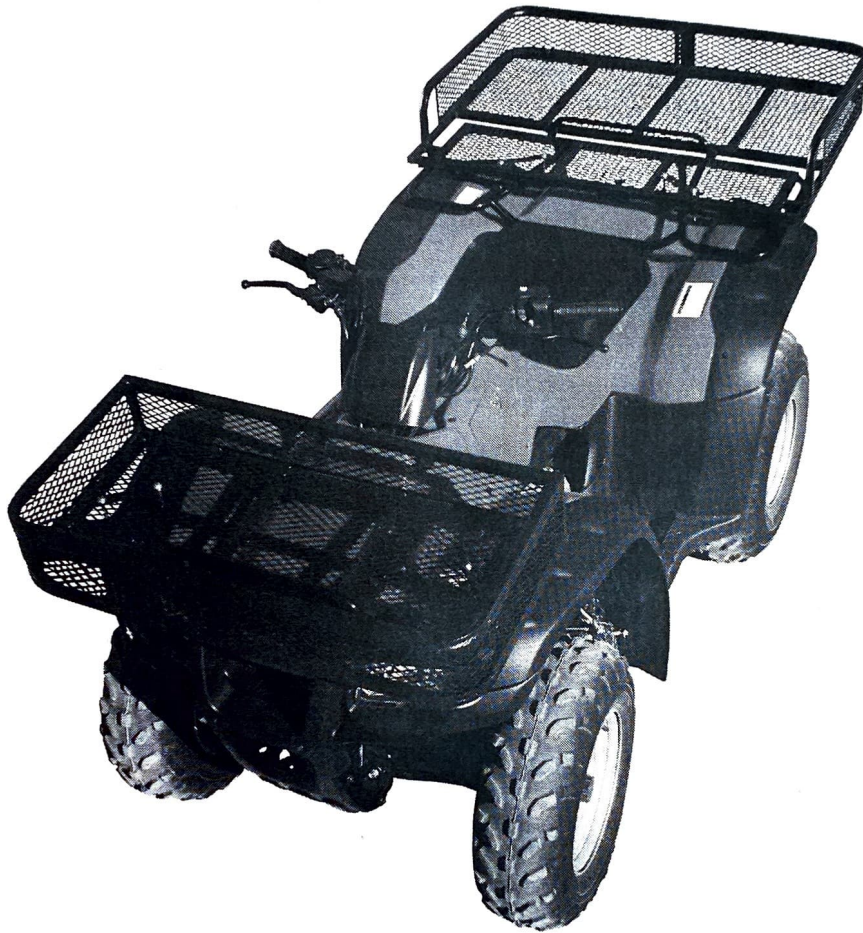


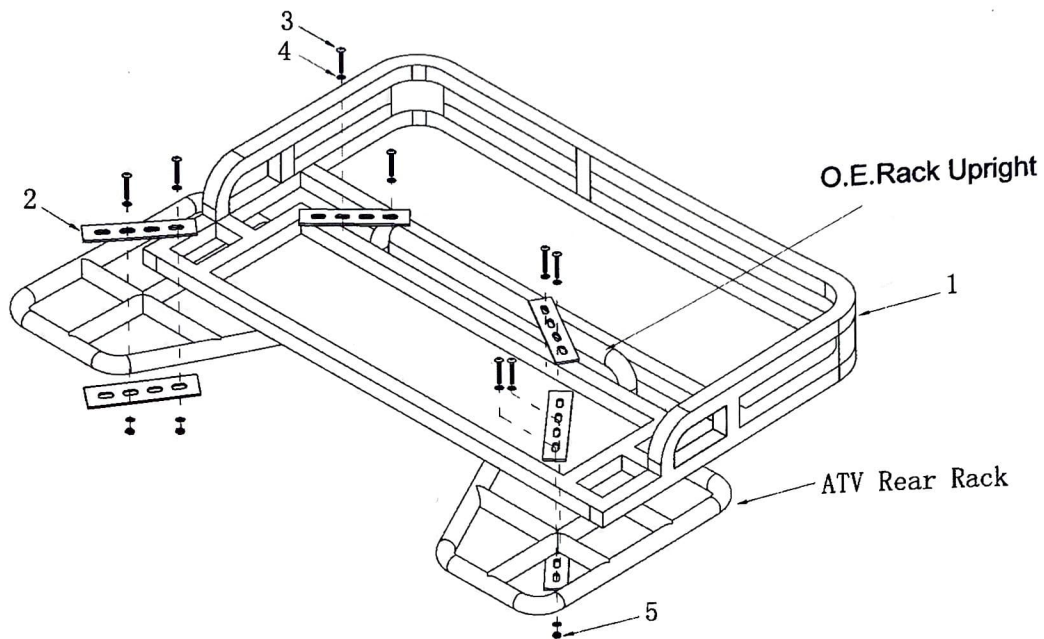
ATV BASKETS



Owners Manual and Operating Instructions

! WARNING Read, study, and follow all instructions before using these devices. Failure to heed these instructions may result in personal injury and/or property damage.

REAR BASKET



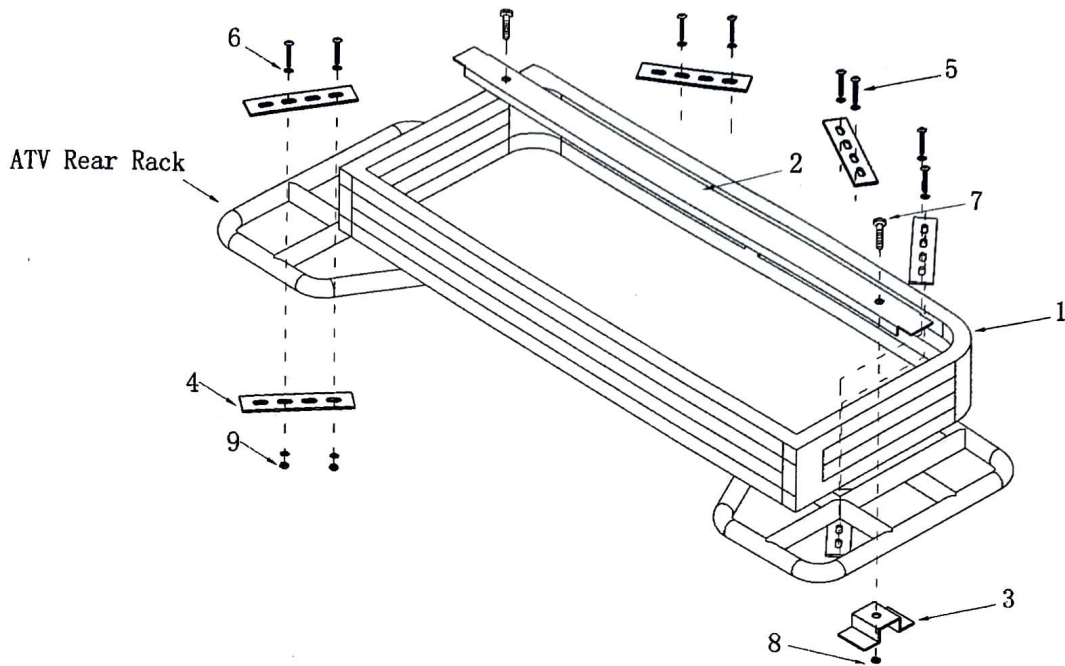
Assembly Instructions:

1. Position the basket so it is centered on the rear rack of the ATV and the O.E. rack upright fits through the basket opening. Note, depending on the size and type of the rack upright, it may have to be removed before the basket can be installed.
2. Place and stick self-adhesive pads (included) between basket and ATV rack to prevent scratching.
3. Using (2) mounting brackets, (2) M6x80 bolts, (2) Nylon nuts and (4) flat washers, secure the basket to the ATV rack, as shown. Assure the bracket on top of the basket is positioned over the square tubing of the basket frame and the bolts are installed on both sides of the tube. Note as the bolt is tightened the expanded metal will deform.
4. Repeat step 2, three more times. Space the mounting brackets evenly over the surface of the basket. Check basket for alignment and assure it is securely fastened. Tighten fasteners as needed.

! WARNING When loading your basket do not exceed the ATV manufacturers rack weight carrying capacity.

Ref#	QTY	DESCRIPTION
1	1	Rear Basket. Flat
2	8	Mounting Brackets
3	8	M6x80 Bolts
4	16	Ø6 SAE Washer
5	8	M6 Nylon Nut

FRONT BASKET



Assembly Instructions:

1. If mounting the basket on an ATV rack without an upright, attach filler clamps to the basket. The long clamp will lie over the opening with the flat side up, as shown. The two smaller clamps are installed from below the basket. Secure with (2) M6x16 bolts and lock nuts.
2. Center the basket over the front rack of the ATV. Note, depending on the type and size of rack upright, it may have to be removed before the basket can be installed.
3. Place and stick self-adhesive pads (included) between basket and ATV rack to prevent scratching.
4. Mount using the same methods as the rear basket.



WARNING When loading your basket do not exceed the ATV manufacturers rack weight carrying capacity.

Ref#	QTY	DESCRIPTION
1	1	Front Basket
2	1	Filler Clamp
3	2	Filler Clamp
4	8	Mounting Brackets
5	8	Bolts M6x80
6	16	SAE Washer Ø6
7	2	Bolt M6x16
8	2	Lock Nut M6
9	8	Nylon Nut M6