

FITTING, USAGE AND MAINTENANCE INSTRUCTIONS
IMPORTANT Please read carefully**PART: 3579****PRODUCT 3.5T UNIVERSAL COUPLING****D Value****S Value****Approval number**

17.5kN

250kg

ECE R55**WARNING** 

Accessories which are not properly fitted can be dangerous, with the potential for serious injury or damage. All accessories must be fitted and maintained by professionally competent persons.


It is the responsibility of the vendor to ensure compatibility between all approved products i.e ensures that the towing vehicle, tow bar and coupling device have the correlating S Value, D Value and requisite class designation. If in doubt, contact the manufacturer of the respective product.

EU Approved Products - Legal Requirements

- Only fit EU type approved products to European type approved towing brackets (see approval no. above) and ensure that their S & D Values are equal to or greater that the S & D Value of the towing bracket.
- This is a European type approved accessory (see approval no. above). If fitting to a European type approved towing bracket ensure that the S & D Value of the towing bracket is equal to or less than the accessories S & D Value.
- When fitting an accessory, whether EU approved or not, to a non-EU type approved towing bracket, refer to the towing bracket manufacturer's instructions and adhere to the towing capacities as stated in the vehicles manufacturer's handbook.

FITTING INSTRUCTIONS**Torque Settings**

Bolt Size	Bolt Length	Bolt Grade	Nut Grade	Torque Setting
M8 ()				
M10 ()				
M12 ()				
M16 (X)		8.8 minimum	8 minimum	240Nm recommended

A calibrated torque wrench must be used.**Warning** 

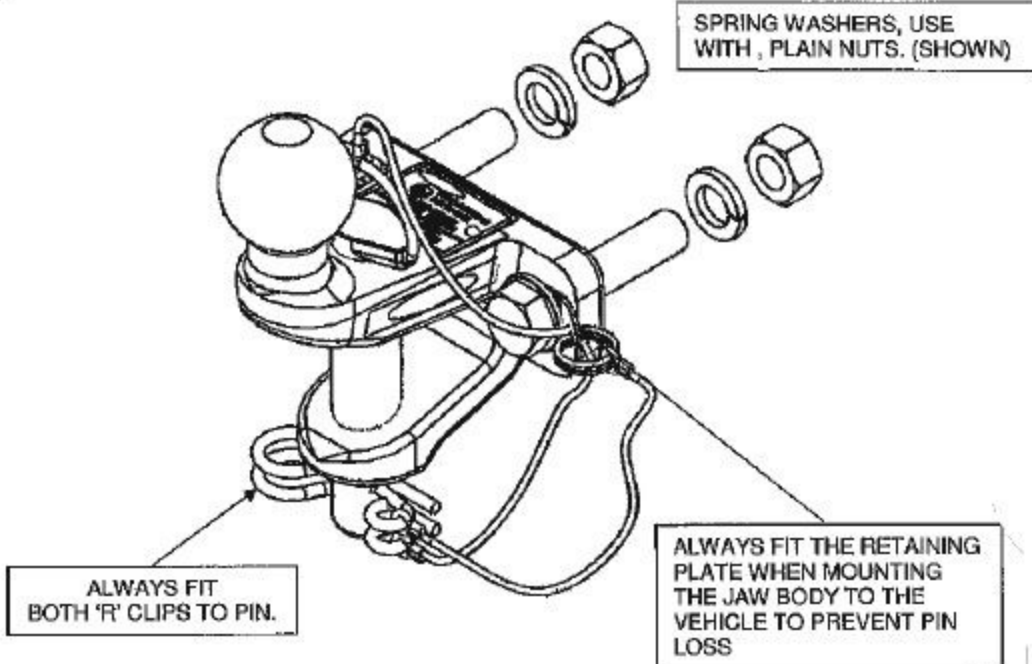
Before fitting, ensure that all bolt/nut/washer contact surfaces are free from excess paint, dirt, under-seal, weld splatters etc.

GWAZA LTD
New House Farm, Shoothill, Shropshire, SY5 9NR
Tel: 01743 850781 Fax: 01743 850601 Email: sales@gwaza.co.uk

Warning 

When fully tightened, the equivalent of half the bolt diameter must protrude through the nut. Use fasteners with vibration proof washers under the nut or use self-locking nuts.

Fitting:



Towing Capacity

"D" Value 17.5kN "S" Value 250kg

GTM: 3500kg.

Applies to tow ball and jaw.

USAGE, MAINTENANCE, SAFETY

- Using a calibrated torque wrench, check tightness of all bolts/nuts initially after the first 500 miles (800km) of towing, and then at 1000 mile (1600km) intervals.
- Check regularly all moving/contact parts for signs of wear and replace if necessary.

USER RESPONSIBILITY

It is your responsibility to ensure that you have been instructed in the safe usage, operation, and maintenance of this product. Please ensure that these instructions are passed to subsequent owners/users of this product.

GWAZA LTD
New House Farm, Shoothill, Shrewsbury, Shropshire, SY5 9NR
Tel: 01743 850761 Fax: 01743 850601 Email: sales@gwaza.co.uk